

STF Series

HOUSINGS
BASKET FILTER
LOW PRESSURE



MAIN APPLICATIONS:

- DESALINATION
- WATER TREATMENT
- PETROCHEMICAL
- FINE CHEMICAL
- FOOD & BEVERAGE
- POWER GENERATION
- PAINTS AND RESINS
- PHARMACEUTICAL
- MICROELECTRONIC
- GALVANIC
- HYDRAULIC
- STEEL MILL
- GENERAL INDUSTRY

CHARACTERISTICS:

- 100% AISI 316L construction
- Swing bolts Rathmann type closure
- Micro-casting girth flange and top cover with hinge and handle
- Conform to 97/23/CE Directive
- Conform to 94/9/CE Directive
- 1935/2004/CE certification available upon request
- Suitable for liquids Gr. 1 and 2 filtration
- Suitable for baskets size 1, 2, 3, 4 and 6
- Side inlet bottom outlet nozzle design
- Suitable for pressure up to 10 bar (16 as option for size 1 and 2)
- O-ring body/head seal
- Basket suitable for Delta-P up to 4 bar (10 bar Delta-P design available as option)
- 430 SS adjustable legs (only for size 1, 2 and 6)
- Hydraulic test on 100% of manufactured filters
- Customization for OEM available

ASCO FILTRI



ASCO Filtri S.p.A.

Viale delle Scienze, 8
20082 Binasco (MI) - Italy

Phone: +39 02 89703.1

Fax: +39 02 89703.410

E-mail: asco@ascofiltri.com

Web: www.ascofiltri.com

STF Series

HOUSINGS
BASKET FILTER
LOW PRESSURE

TECHNICAL DATA

MAX. WORKING CONDITIONS

10 bar @ 100 °C
16 bar @ 100 °C (option)

CONSTRUCTION MATERIALS

BODY:
- 316L SS
GIRTH FLANGE, TOP COVER:
- 316 SS micro-casting
ADJUSTABLE LEGS:
- 430 SS

FINISHING

Internal/external:
- Electropolishing
- Glass bead blasting
- Pickling (option)

GASKETS

- EPDM
- Silicone
- Viton
- FEP
- PTFE

IN/OUT

- 1.1/2" GAS-M
- 2" GAS-M
- 2.1/2" GAS-M
- 3" GAS-M
- DN 100 PN 16
- DN 150 PN 16

VENT

- 3/8" GAS-F

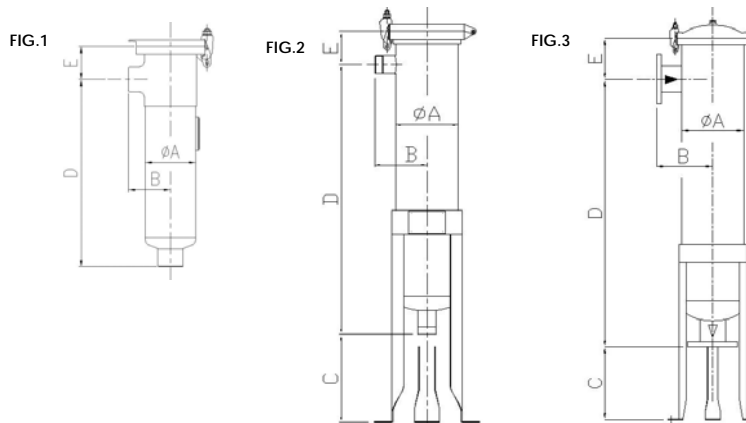
ACCESSORIES

- Pressure gauge
- Vent valve
- Flanged connection
- Magnetic candles kit

Dimensions:

Model	Q max. m ³ /h	Dimensions [mm]					In/out	Vol. [lt]	Peso [kg]	Fig.
		A	B	C	D	E				
STFL013	9	114.3	95	-	277.5	75.5	1.1/2" Gas-m	3	9	1
STFL014	15	114.3	95	-	427.5	75.5	1.1/2" Gas-m	4	10	1
STF011	20	204	170	[1]	489	107.5	2" Gas-m	16	36	2
STF012	35	204	170	[1]	869	107.5	2" Gas-m	28	40	2
STF016	150	273	260	[1]	1190	183	DN 150 PN 16	75	80	3

Max. flow-rate referred to 100 µm filtering basket. Initial Delta-P 0.15 bar.
Suggested flow-rate change according to the installed filtration rating.
1] "C" dimension adjustable according to the selected model.



Max. working pressure:

Fluid	Model				
	STFL013	STFL014	STF011	STF012	STF016
Liquid Gr. 2	10 bar	10 bar	10 bar	10 bar	10 bar
Liquid Gr. 1	10 bar	10 bar	10 bar	10 bar	10 bar
Gas Gr. 2	10 bar	10 bar	10 bar	7 bar	2.5 bar
Gas Gr. 1	8 bar	6 bar	1.5 bar	0.8 bar	0.6 bar

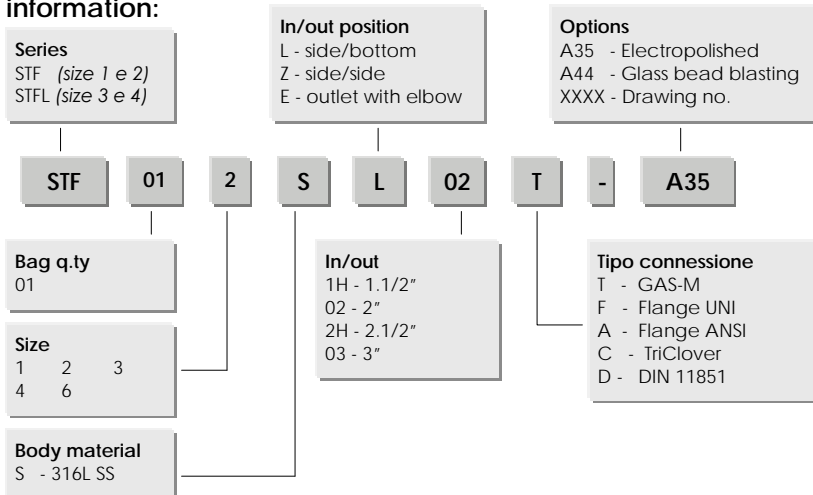
Where the 97/23/CE Directive is applicable, in case of gas, the max. working pressure must be reduced. For different pressures contact ASCO Filtri.

Gaskets temperature limitation:

EPDM	120 °C	Viton	230 °C	PTFE	250 °C
Buna-n	120 °C	Silicone	230 °C	FEP	250 °C

Working temperature is limited from installed gasket:
For different working temperature check with the operating manual.

Ordering information:



We reserve the right to change the data of this specification without notice.

ASCO Filtri S.p.A.

Viale delle Scienze, 8
20082 Binasco (MI) - Italy
Phone: +39 02 89703.1
Fax: +39 02 89703.410
E-mail: asco@ascofiltri.com
Web: www.ascofiltri.com

ASCO
FILTRI