

VC Series

VENT FILTER HOUSING
TANKS VENTILATION



MAIN APPLICATIONS:

- WATER TREATMENT
- FINE CHEMICAL
- FOOD & BEVERAGE
- PHARMACEUTICAL
- GENERAL INDUSTRIES

CHARACTERISTICS:

- 100% AISI 316 construction
- Conform to 97/23/CE PED Directive
- Conform to 94/9/CE ATEX Directive
- 1935/2004/CE certification available upon request
- Two head/bowl closure system available:
 - VCR: single cartridge with V-Clamp closure
 - VCT: multiple cartridges with bowl independent from base
- Suitable for gas Gr. 1 and 2 filtration
- Suitable for direct installation on atmospheric tanks
- Suitable for filtering cartridges from 10" to 40"
- Suitable for cod.7 filtering cartridges
- Suitable for sterilizing cartridges and particles removal cartridges
- Designed to allow visual checking of the installed cartridge prior to bowl closure

ASCO FILTRI

ASCO Filtri S.p.A.

Viale delle Scienze, 8
20082 Binasco (MI) - Italy

Phone: +39 02 89703.1

Fax: +39 02 89703.410

E-mail: asco@ascofiltri.com

Web: www.ascofiltri.com



VC Series

VENT FILTER HOUSING
TANKS VENTILATION

TECHNICAL DATA

MAX. WORKING CONDITION
0.5 bar @ 100 °C

STERILIZATION

Depends from the installed
Filtering cartridge

CONSTRUCTION MATERIAL

HEAD (VCR series):

- 316 SS micro casting

BASE (VCT series):

- 316 SS

BOWL:

- 316L SS

V-CLAMP (VCR series):

- 316 SS micro casting

BOWL SURFACE FINISHING

Internal:

- Pickling

- Manual polishing (option)

- Electropolishing (option)

External:

- Manual polishing

- Electropolishing (option)

HEAD SURFACE FINISHING

- Manual polishing

GASKET (VCR series)

- EPDM

- Silicone

- Viton

- FEP

IN/OUT

- DN25 1"

- DN40 1.1/2"

- DN50 2"

- DN65 2.1/2"

- DN80 3"

- DN100 4"

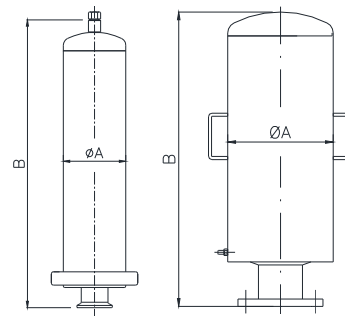
- DN150 6"

OPTION

- TriClover vent

Dimension:

Model	Dimension [mm]		Connections In/out	Volume [litres]	Weight [kg]
	A	B			
VCR011	Ø 88.9	410	DN 40	2.0	3.5
VCR012		659	DN 40	3.4	4.6
VCR013		910	DN 50	4.8	5.7
VCR014		1160	DN 50	6.2	6.8
VCT031	Ø 204	438	DN 65	11.2	12.5
VCT032		687	DN 65	19.0	15.0
VCT033		936	DN 80	27.0	17.5
VCT034		1185	DN 80	35.0	20.0
VCT052	Ø 273	762	DN 80	40.0	27.0
VCT053		1010	DN 100	54.0	32.0
VCT054		1260	DN 100	68.0	37.0
VCT092	Ø 323.8	830	DN 100	55.0	34.0
VCT093		1080	DN 150	75.0	40.0
VCT094		1330	DN 150	95.0	46.0



Allowable flow-rate depends from the installed filtering cartridge. Check with the cartridges brochure the recommended flow-rate.

Technical notes:

Vent filters preventing the contamination, both particulate that microbiological, of the liquids contained in the tanks, as well as the environmental contamination by the release of bacterial potentially contaminated air.

During the stored liquids handling phases, the fluctuations in the levels generate positive or negative changes of the pressures inside the tanks with subsequent risk to compromise its stability.

For these reasons, atmospheric tanks, must be equipped with appropriate safety systems such as rupture discs or ventilating valves; vent filters contribute to maintain the tanks mechanical stability during the filling and emptying phases.

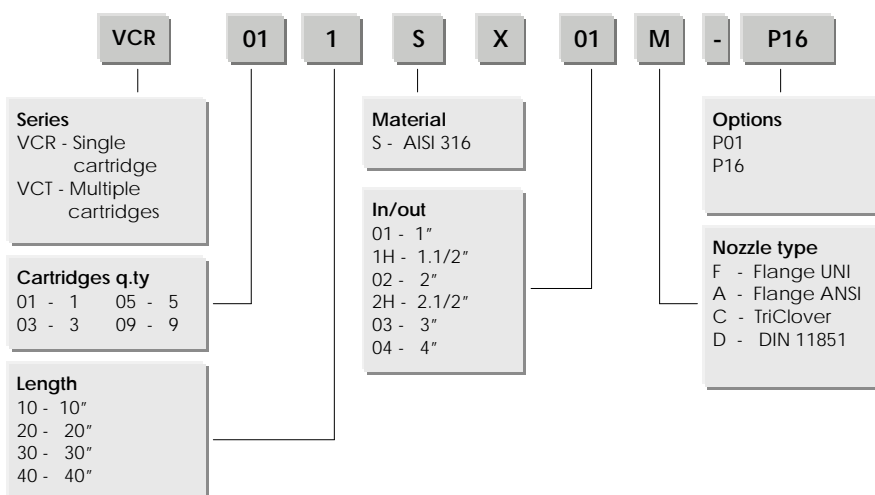
Basic rules for the vent filters installation:

A ventilation valve or a rupture disc must be always provide on the tanks, both device intervene in case of vent filter cartridge clogging.

When the stored liquids are close to the boiling point, it is necessary to provide a steam tracing on the filters body to avoid the phenomenon of condensation on the cartridge surface.

In the case of tank steam sterilization it is necessary to take into the account that it is necessary to flush the filter with sterile air during the tank cooling to prevent its implosion due to the vacuum generated during the steam condensation.

Ordering information:



We reserve the right to change the data of this specification without notice.

ASCO Filtri S.p.A.

Viale delle Scienze, 8

20082 Binasco (MI) - Italy

Phone: +39 02 89703.1

Fax: +39 02 89703.410

E-mail: asco@ascofiltri.com

Web: www.ascofiltri.com

ASCO
FILTRI