

# SCT Series

HOUSINGS  
SINGLE CARTRIDGE  
HIGH PRESSURE



## MAIN APPLICATION:

- DESALINATION
- WATER TREATMENT
- FINE CHEMICAL
- PETROCHEMICAL
- OIL & GAS
- FOOD & BEVERAGE
- POWER GENERATION
- PAINTS AND RESIN
- GALVANIC
- HYDRAULIC
- STEEL MILL
- GENERAL INDUSTRY

## CHARACTERISTICS:

- 100% AISI 316 construction
- Head and body flange manufactured with lost wax micro-casting
- Conform to 97/23/CE PED Directive
- Conform to 94/9/CE ATEX Directive
- 1935/2004/CE certification available upon request
- Stud bolts and nuts head/bowl closure
- Suitable for liquid or gas Gr. 1 and 2 filtration
- In line in/out connections for easy installation
- Suitable for pressure up to 69 bar
- Model for steam application at 25 bar / 200 °C available
- Suitable for cartridges from 6" to 40"
- Suitable for cartridges DOE, M3, M6; M7 as option
- Installation of DOE cartridge independent from bowl
- O-ring head/bowl seal
- Designed to allow visual checking of the installed cartridge prior to bowl closure

# ASCO FILTRI

**ASCO Filtri S.p.A.**

Viale delle Scienze, 8  
20082 Binasco (MI) - Italy

Phone: +39 02 89703.1

Fax: +39 02 89703.410

E-mail: [asco@ascofiltri.com](mailto:asco@ascofiltri.com)

Web: [www.ascofiltri.com](http://www.ascofiltri.com)

# SCT Series

HOUSINGS  
SINGLE CARTRIDGE  
HIGH PRESSURE

## TECHNICAL DATA

### MAX. WORKING CONDITION

25 bar @ 100 °C (LP series)  
69 bar @ 100 °C (HP series)  
(according to the handled fluid)

### CONSTRUCTION MATERIAL

**HEAD:**  
- 316 SS micro casting  
**BODY FLANGE:**  
- 316 SS micro casting  
**BOWL:**  
- 316L SS

### FILTER FINISHING

**Internal:**  
- Pickling  
**External:**  
- Sandblasting

### GASKETS

- EPDM  
- Buna-n  
- Silicone  
- Viton  
- PTFE  
- FEP

### IN/OUT

- 1" NPT-F

### DRAIN

- 3/8" NPT-F

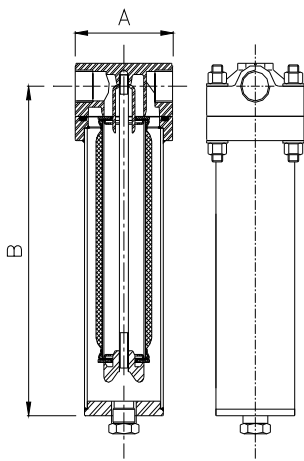
### ACCESSORIES

- Flanged connections

### Dimensions:

Length	Dimensions [mm]		Nozzles		Volume [lt]	Weight [kg]
	A	B [1]	In/out	Drain		
06	110	257	1" NPT-F	3/8" NPT-F	1.2	7.5
10	110	356			1.6	9.0
20	110	606			3.0	13.0
30	110	871			4.5	15.0
40	110	1120			5.7	22.0

1) For P01 (M7) option, increase 50 mm the B dimension.



### Max. working pressure:

Fluid	SCT-LP				SCT-HP			
	10"	20"	30"	40"	10"	20"	30"	40"
Liquid Gr. 2	25 bar	25 bar	25 bar	25 bar	69 bar	69 bar	69 bar	69 bar
Liquid Gr. 1	25 bar	25 bar	25 bar	25 bar	69 bar	65 bar	43 bar	34 bar
Gas Gr. 2	25 bar	25 bar	25 bar	25 bar	69 bar	65 bar	43 bar	34 bar
Gas Gr. 1	25 bar	15 bar	10 bar	8 bar	30 bar	15 bar	10 bar	8 bar

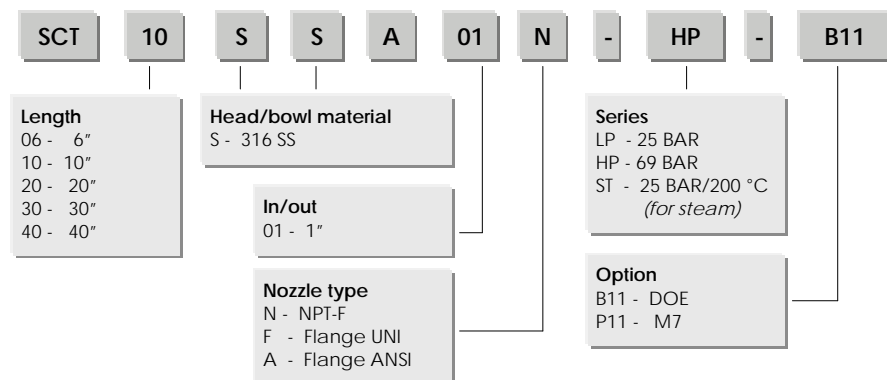
Where the 97/23/CE PED Directive is applicable, in case dangerous of gas Gr. 1, the max. working pressure must be reduced.  
For different working pressure check with the operating manual.

### Gaskets temperature limitation:

EPDM	120 °C	Viton	230 °C	PTFE	250 °C
Buna-n	120 °C	Silicone	230 °C	FEP	250 °C

Working temperature is limited from installed gaskets.  
For different working temperature check with the operating manual.

### Ordering information:



We reserve the right to change the data of this specification without notice.

ASCO Filtri S.p.A.

Viale delle Scienze, 8  
20082 Binasco (MI) - Italy  
Phone: +39 02 89703.1  
Fax: +39 02 89703.410  
E-mail: asco@ascofiltri.com  
Web: www.ascofiltri.com

**ASCO**  
FILTRI